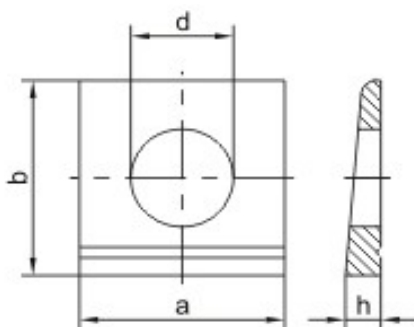


**DIN
435**



M	8	10	12	16	20	22
d	9	11	13.5	17.5	22	24
a/b	22/22	22/22	26/30	32/36	40/44	44/50
h	4.6/1.5	4.6/1.5	6.2/2	7.5/2.5	9.2/3	10/3

M	24	27	30
d	26	30	33
a/b	56/56	56/56	62/62
h	10.8/3	10.8/3	11.7/3

