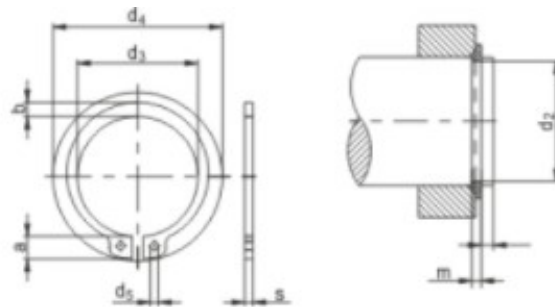


DIN 471



Wymiar	3	4	5	6	7	8	9	10	11	12
s	0.4	0.4	0.6	0.7	0.8	0.8	1	1	1	1
d <sub>3</sub>	2.7	3.7	4.7	5.6	6.5	7.4	8.4	9.3	10.2	11
a	1.9	2.2	2.5	2.7	3.1	3.2	3.3	3.3	3.3	3.3
b	0.8	0.9	1.1	1.3	1.4	1.5	1.7	1.8	1.8	1.8
d <sub>5</sub>	1	1	1	1.2	1.2	1.2	1.2	1.5	1.5	1.7
d <sub>2</sub>	2.8	3.8	4.8	5.7	6.7	7.6	8.6	9.6	10.5	11.5
m	0.50.5	0.7	0.8	0.8	0.9	0.9	1.1	1.1	1.1	1.1
n	0.3	0.3	0.3	0.5	0.5	0.6	0.6	0.6	0.8	0.8
d <sub>4</sub>	7	8.6	10.3	11.7	13.5	14.7	16	17	18	19

Wymiar	13	14	15	16	17	18	19	20	21	22
s	1	1	1	1	1	1.2	1.2	1.2	1.2	1.2
d <sub>3</sub>	11.9	12.9	13.8	14.7	15.7	16.5	17.5	18.5	19.5	20.5
a	3.4	3.5	3.6	3.7	3.8	3.9	3.9	4	4.1	4.2
b	2	2.1	2.2	2.2	2.3	2.4	2.5	2.6	2.7	2.8
d <sub>5</sub>	1.7	1.7	1.7	1.7	1.7	2	2	2	2	2
d <sub>2</sub>	12.4	13.4	14.3	15.2	16.2	17	18	19	20	21
m	1.1	1.1	1.1	1.1	1.1	1.3	1.3	1.3	1.3	1.3
n	0.9	0.9	1.1	1.2	1.2	1.5	1.5	1.5	1.5	1.5
d <sub>4</sub>	20.2	21.4	22.6	23.8	25.0	26.2	27.2	28.4	29.6	30.8

Wymiar	23 <sup>^</sup>	24	25	26	27 <sup>^</sup>	28	29	30	31 <sup>^</sup>	32
s	1.2	1.2	1.2	1.2	1.2	1.5	1.5	1.5	1.5	1.5
d <sub>3</sub>	21.5	22.2	23.2	24.2	24.9	25.9	26.9	27.9	28.6	29.6
a	4.3	4.4	4.4	4.5	4.6	4.7	4.8	5	5.1	5.2
b	2.9	3	3	3.1	3.1	3.2	3.4	3.5	3.5	3.6
d <sub>5</sub>	2	2	2	2	2	2	2	2	2.5	2.5
d <sub>2</sub>	22	22.9	23.9	24.9	25.6	26.6	27.6	28.6	29.3	30.3

m	1.3	1.3	1.3	1.3	1.3	1.6	1.6	1.6	1.6	1.6
n	1.5	1.7	1.7	1.7	2.1	2.1	2.1	2.1	2.6	2.6
d <sub>4</sub>	-	33.2	34.2	35.5	-	37.9	39.1	40.5	-	43

Wymiar	33 <sup>^</sup>	34	35	36	37 <sup>^</sup>	38	39 <sup>^</sup>	40	41 <sup>^</sup>	42
s	1.5	1.5	1.5	1.75	1.75	1.75	1.75	1.75	1.75	1.75
d <sub>3</sub>	30.5	31.5	32.2	33.2	34.2	35.2	36	36.5	37.5	38.5
a	5.2	5.4	5.6	5.6	5.7	5.8	5.9	6	6.2	6.5
b	3.7	3.8	3.9	4	4.1	4.2	4.3	4.4	4.5	4.5
d <sub>5</sub>	2.5	2.5	2.5	2.5	2.5	2.5	2.5	2.5	2.5	2.5
d <sub>2</sub>	31.3	32.3	33	34	435	36	37	37.5	38.5	39.5
m	1.6	1.6	1.6	1.85	1.85	1.85	1.85	1.85	1.85	1.85
n	2.6	2.6	3	3	3	3	3	3.8	3.8	3.8
d <sub>4</sub>	-	45.4	46.8	47.8	-	50.2	-	52.6	-	55.7

Wymiar	44 <sup>^</sup>	45	46 <sup>^</sup>	47 <sup>^</sup>	48	50	52	54 <sup>^</sup>	55	56
s	1.75	1.75	1.75	1.75	1.75	2	2	2	2	2
d <sub>3</sub>	40.5	41.5	42.5	43.5	44.5	45.8	47.8	49.8	50.8	51.8
a	6.6	6.7	6.7	6.8	6.9	6.9	7	7.1	7.2	7.3
b	4.6	4.7	4.8	4.9	5	5.1	5.2	5.3	5.4	5.5
d <sub>5</sub>	2.5	2.5	2.5	2.5	2.5	2.5	2.5	2.5	2.5	2.5
d <sub>2</sub>	41.5	42.5	43.5	44.5	45.5	47	49	51	52	53
m	1.85	1.85	1.85	1.85	1.85	2.15	2.15	2.15	2.15	2.15
n	3.8	3.8	3.8	3.8	3.8	4.5	4.5	4.5	4.5	4.5
d <sub>4</sub>	-	59.1	-	-	62.5	64.5	66.7	-	70.2	71.6

Wymiar	57 <sup>^</sup>	58	60	62	63	65	67 <sup>^</sup>	68	70	72
s	2	2	2	2	2	2.5	2.5	2.5	2.5	2.5
d <sub>3</sub>	52.8	53.8	55.8	57.8	58.8	60.8	62.5	63.5	65.5	67.5
a	7.3	7.3	7.4	7.5	7.6	7.8	7.9	8	8.1	8.2
b	5.5	5.6	5.8	6	6.2	6.3	6.4	6.5	6.6	6.8
d <sub>5</sub>	2.5	2.5	2.5	2.5	2.5	3	3	3	3	3
d <sub>2</sub>	54	55	57	59	60	62	64	65	67	69
m	2.15	2.15	2.15	2.15	2.15	2.65	2.65	2.65	2.65	2.65
n	4.5	4.5	4.5	4.5	4.5	4.5	4.5	4.5	4.5	4.5
d <sub>4</sub>	-	73.6	75.6	77.8	79	81.4	-	84.8	87	89.2

Wymiar	75	77 <sup>^</sup>	78	80	82	85	87 <sup>^</sup>	88	90	92 <sup>^</sup>
s	2.5	2.5	2.5	2.5	2.5	3	3	3	3	3
d <sub>3</sub>	70.5	72.5	73.5	74.5	76.5	79.5	81.5	82.5	84.5	86.5
a	8.4	8.5	8.6	8.6	8.7	8.7	8.8	8.8	8.8	9
b	7	7.2	7.3	7.4	7.6	7.8	7.9	8	8.2	8.4

d <sub>5</sub>	3	3	3	3	3	3.5	3.5	3.5	3.5	3.5
d <sub>2</sub>	72	74	75.6	76.5	78.5	81.5	83.5	84.5	86.5	88.5
m	2.65	2.65	2.65	2.65	2.65	3.15	3.15	3.15	3.15	3.15
n	4.5	4.5	4.5	5.3	5.3	5.3	5.3	5.3	5.3	5.3
d <sub>4</sub>	92.7	-	96.1	98.1	100.3	103.3	-	106.5	108.5	-

Wymiar	97^	98^	100	102^	105	107^	108^	110	112^	115
s	3	3	3	4	4	4	4	4	4	4
d <sub>3</sub>	91.5	91.5	94.5	95	98	100	100	103	105	108
a	9.4	9.4	9.6	9.7	9.9	10	10	10.1	10.3	10.6
b	8.8	8.8	9	9.2	9.3	9.5	9.5	9.6	9.7	9.8
d <sub>5</sub>	3.5	3.5	3.5	3.5	3.5	3.5	3.5	3.5	3.5	3.5
d <sub>2</sub>	93.5	94.5	96.5	98.1	101	103	104	106	108	111
m	3.15	3.15	3.15	4.15	4.15	4.15	4.15	4.15	4.15	4.15
n	5.3	5.3	5.3	6	6	6	6	6	6	6
d <sub>4</sub>	-	-	120.2	-	125.8	-	-	131.2	-	137.3

Wymiar	117^	118^	120^	122^	125	127^	128^	130	132	135
s	4	4	4	4	4	4	4	4	4	4
d <sub>3</sub>	110	110	113	115	118	120	120	123	125	128
a	10.8	10.8	10.8	11	11.2	11.4	11.4	11.6	11.7	11.8
b	10	10	10.2	10.3	10.4	10.5	10.5	10.7	10.8	11
d <sub>5</sub>	3.5	3.5	3.5	4	4	4	4	4	4	4
d <sub>2</sub>	113	114	116	118	121	123	124	126	128	131
m	4.15	4.15	4.15	4.15	4.15	4.15	4.15	4.15	4.15	4.15
n	6	6	6	6	6	6	6	6	6	6
d <sub>4</sub>	-	-	143.1	-	149	-	-	154.4	-	159.8

Wymiar	137^	138	140	142^	145	147^	148^	150	155	160
s	4	4	4	4	4	4	4	4	4	4
d <sub>3</sub>	130	130	133	135	138	140	140	142	146	151
a	11.9	11.9	12	12.1	12.2	12.3	12.3	13	13	13.3
b	11	11	11.2	11.3	11.5	11.6	11.6	11.8	12	12.2
d <sub>5</sub>	4	4	4	4	4	4	4	4	4	4
d <sub>2</sub>	133	134	136	138	141	143	144	145	150	155
m	4.15	4.15	4.15	4.15	4.15	4.15	4.15	4.15	4.15	5.15
n	7.5	7.5	7.5	7.5	7.5	7.5	7.5	7.5	7.5	9
d <sub>4</sub>	193.4	-	198.4	203.4	210	215	220	225	230	240

Wymiar	165	168^	170	175	180	185	190	195	200	210
s	4	4	4	4	4	4	4	4	4	5
d <sub>3</sub>	155.5	157.5	160.5	165.5	170.5	175.5	180.5	185.5	190.5	198

a	13.5	13.5	13.5	13.5	14.2	14.2	14.2	14.2	14.2	14.2
b	12.5	12.9	12.9	12.9	13.5	13.5	14	14	14	14
d <sub>5</sub>	4	4	4	4	4	4	4	4	4	4
d <sub>2</sub>	160	163	165	170	175	180	185	190	195	204
m	4.15	4.15	4.15	4.15	4.15	4.15	4.15	4.15	4.15	5.15
n	7.5	7.5	7.5	7.5	7.5	7.5	7.5	7.5	7.5	9
d <sub>4</sub>	193.4	-	198.4	203.4	210	215	220	225	230	240

Wymiar	215^	220	230	240	250	255^	260	270	280	290
s	5	5	5	5	5	5	5	5	5	5
d <sub>3</sub>	203	208	218	228	238	240	245	255	265	275
a	14.2	14.2	14.2	14.2	14.2	16.2	16.2	16.2	16.2	16.2
b	14	14	14	14	14	16	16	16	16	16
d <sub>5</sub>	4	4	4	4	4	5	5	5	5	5
d <sub>2</sub>	209	214	224	234	244	247	252	262	272	282
m	5.15	5.15	5.15	5.15	5.15	5.15	5.15	5.15	5.15	5.15
n	9	9	9	9	9	12	12	12	12	12
d <sub>4</sub>	-	250	260	270	280	-	294	304	314	324

Wymiar	300
s	5
d <sub>3</sub>	285
a	16.2
b	16
d <sub>5</sub>	5
d <sub>2</sub>	292
m	5.15
n	12
d <sub>4</sub>	334

