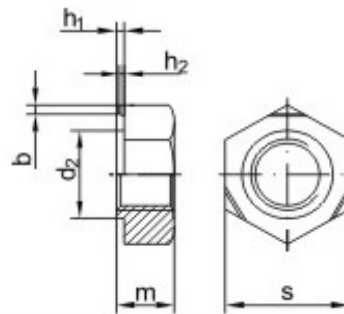


DIN 929



Wymiar	M 3	M 4	M 5	M 6	M 8	M 10	M 12	M 14	M 16
b	0.8	0.8	0.8	0.9	1	1.25	1.25	1.5	1.5
d ₂	4.5	6	7	8	10.5	12.5	14.8	16.8	18.8
h ₁	0.55	0.65	0.7	0.75	0.9	1.15	1.4	1.8	1.8
h ₂	0.25	0.35	0.4	0.4	0.5	0.65	0.8	1	1
m	3	3.5	4	5	6.5	8	10	11	13
s	7.5	9	10	11	14	17	19	22	24

